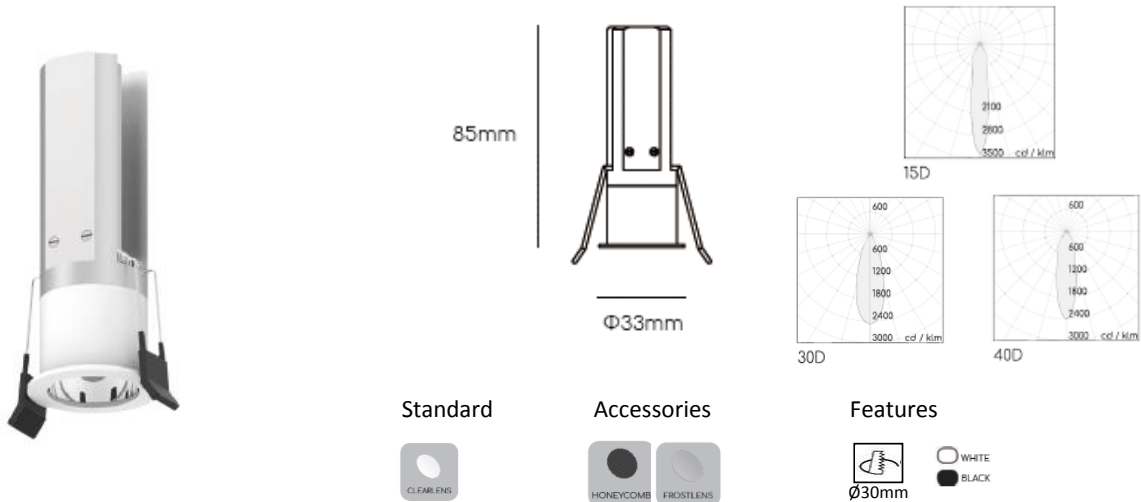


ALLY Fixed Recessed LED Downlight



Standard



Accessories



Features



SPECIFICATIONS

Product Code		ALLY-5WF-X-Y-927	ALLY-5WF-X-Y-930	ALLY-5WF-X-Y-940	ALLY-5WF-X-Y-950
Luminaire	Finish (X)	White		Black	
	Material	Aluminium			
	Reflector	PC			
	Dimension : LxWxH(mm)	Dia. 33 x 85(H)mm			
Light Source	Color Temperature (CCT)	2700K	3000K	4000K	5000K
	Color Rendering Index (CRI)	Ra>90			
	Luminous Flux	497-616lm			
Beam Angle	(Y)	15D	30D	40D	
Electrical	Input	Constant Current (300mA - 500mA)			
	LED Power	5.3W			
Driver	Non-Dimmable	on / off			
	Dimmable	TRIAC	1-10V	DALI	
Protection	Protection Rating (IP)	IP20			
Accessories		Honeycomb		Frostlen	

Ordering example : ALLY-5WF-**W-30D**-927 (**W**hite trim, **30D** beam angle, Ra90, 2700K)